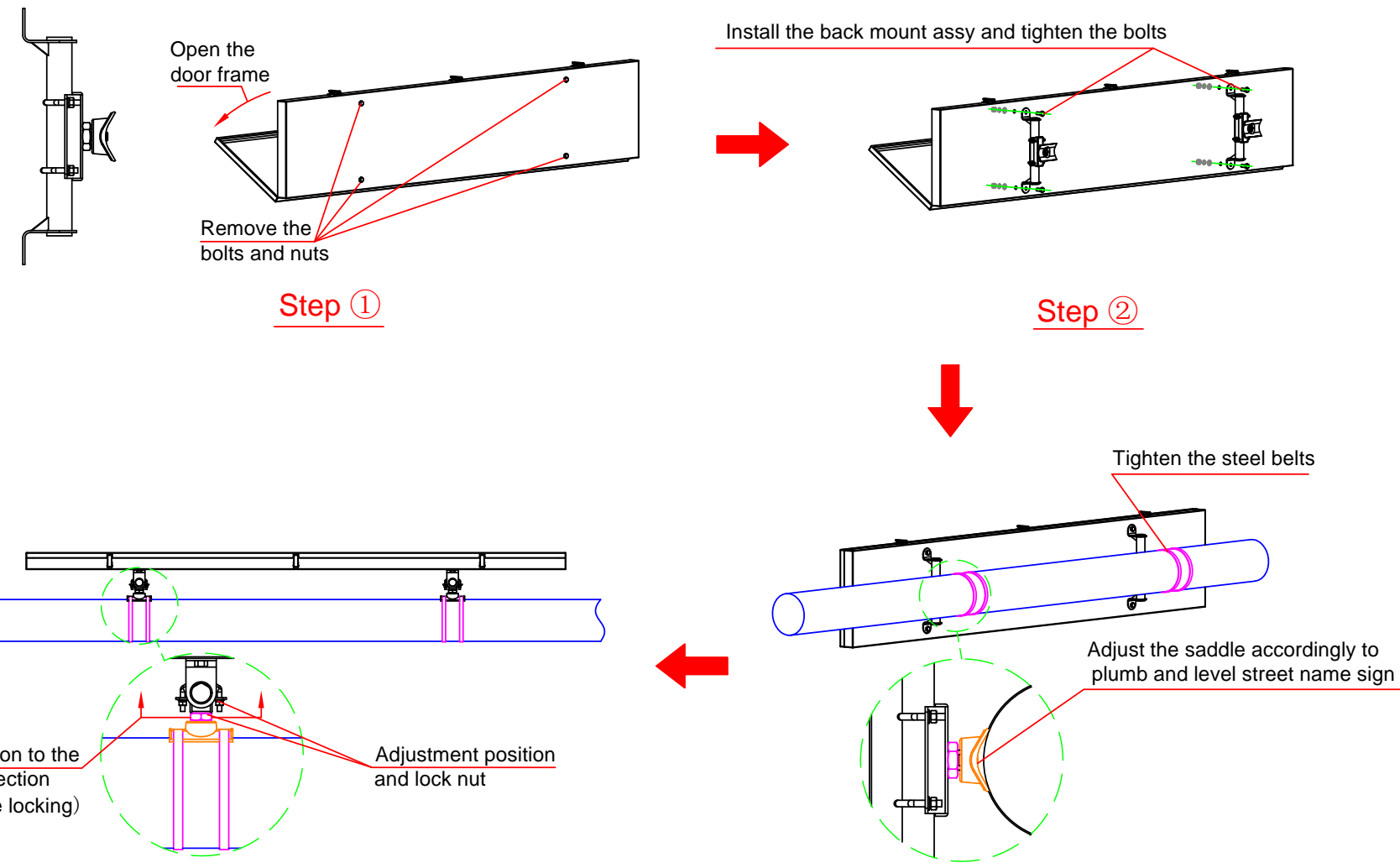
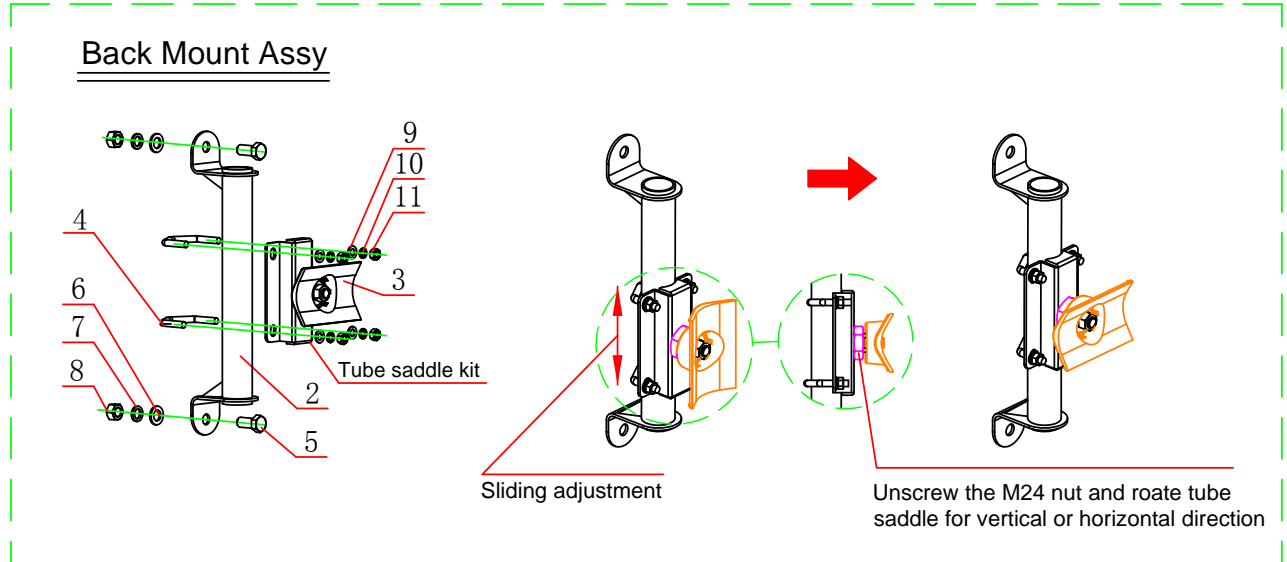


LED Street Name Sign Installation Instructions-Back mount

Installation steps



Model	Description	Quantity
1	Street Name Sign	1
2	Bracket Steel Pipe(Diameter 48mm)	2
3	Tube saddle	2
4	V-Shaped Clamp	4
5	M16 Bolts	4
6	Ø16 Flat Washers	4
7	Ø16 Spring Washers	4
8	M16 Nuts	4
9	Ø10 Flat Washers	8
10	Ø10 Spring Washers	8
11	M10 Nuts	8
12	Steel belts	4
13	Mast arm(not included)	1

LED street name sign				
SHEET 01 OF 01				
DESIGN	FED. RD. DIV. NO.	STATE PROJECT NO.		HIGHWAY NO.
GRAPHICS	STATE	DISTRICT	COUNTY	SHEET NO.
CHECK	CONTROL	SECTION	JOB	
CHECK				