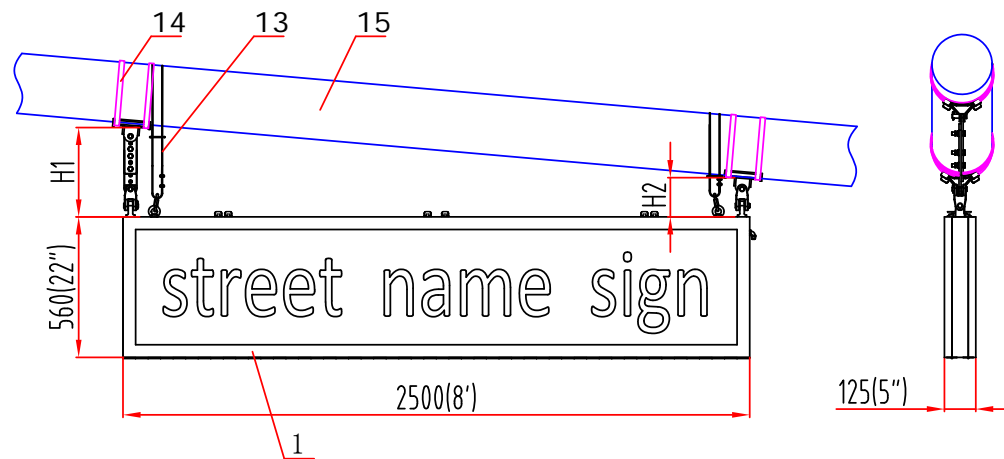
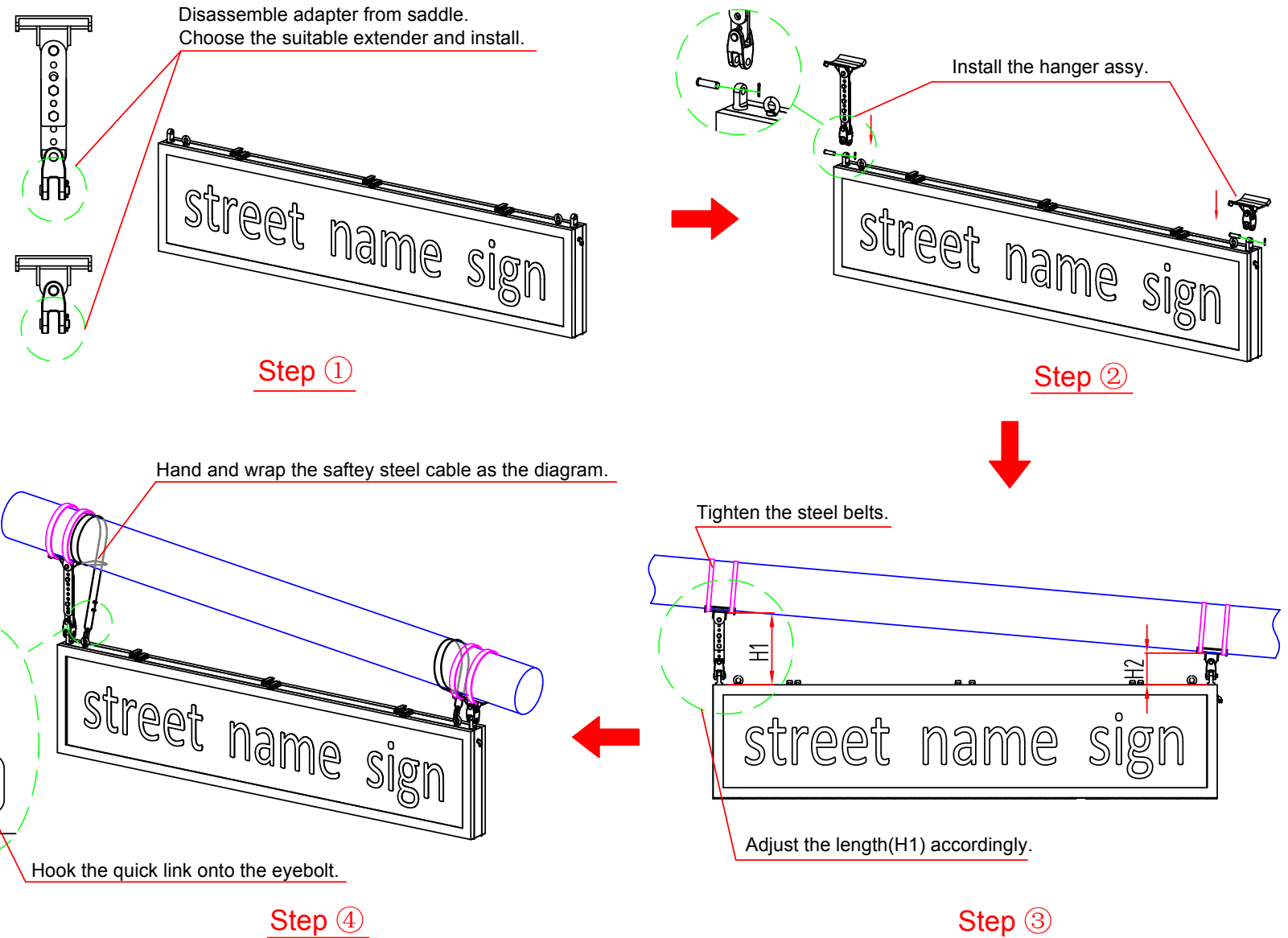
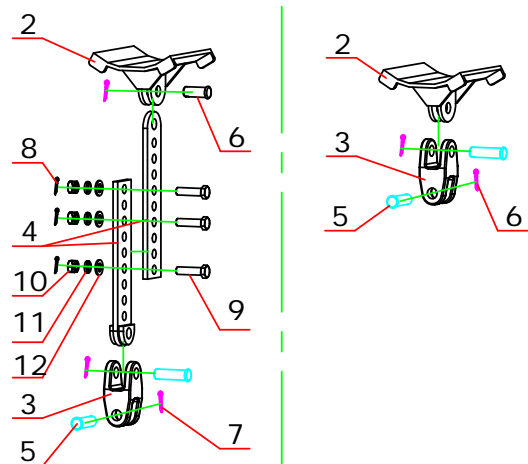


LED Street Name Sign Installation Instructions-Top mount

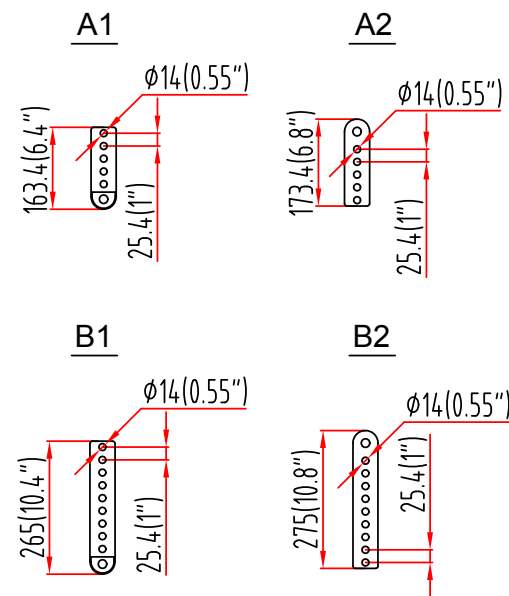
Installation steps



Hanger assy



Dimensional diagram (Extenders)



Warning: At least two sets of bolts and nuts are required to fix the extenders.

Model	Description	Quantity
1	Street Name Sign	1
2	Tube saddle	2
3	Adapters	2
4	Extenders (Match A1/A2/B1/B2 according to requirements)	4
5	Φ16X50 Cotter pins	4
6	Φ16X25 Cotter pins	1
7	4X30 Split lock pins	5
8	2X25 Split lock pins	3
9	M12 Bolts	3
10	M12 Nuts	3
11	Φ12 Spring Washers	3
12	Φ12 Flat Washers	3
13	Safety steel cable	2
14	Steel belts (not included)	4
15	Mast arm (not included)	1

Collocation method	H1(Adjustable)	H2(Fixed)
None	6"	6"
A1 + A2	12.4"	
	13.4"	
	14.4"	
	15.4"	
	16.4"	
B1 + B2	17.4"	
	18.4"	
	19.4"	
	20.4"	
	21.4"	
	22.4"	
	23.4"	

LED street name sign

SHEET01 OF 01

DESIGN	FED.RD. DIV.NO.	STATE PROJECT NO.		HIGHWAY NO.
GRAPHICS	STATE	DISTRICT	COUNTY	SHEET NO.
CHECK	CONTROL	SECTION	JOB	
CHECK				